



Coffee control matters

Enable POS authorizations

COFFEE

Control the coffee distribution process from payments to pouring thanks to **POS connection**.

Take an order and payment into your POS system, this will release automatically **the coffee (volumes and quantities)** into your machine for dispensing.

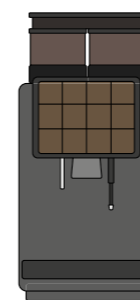
2 different service modes for the coffee machine:

- ✓ **Controlled service**
Authorize the dispenser to pour thanks to the trigger coming from the POS order*.
- ✓ **Fast service**
Dispenser is constantly opened.

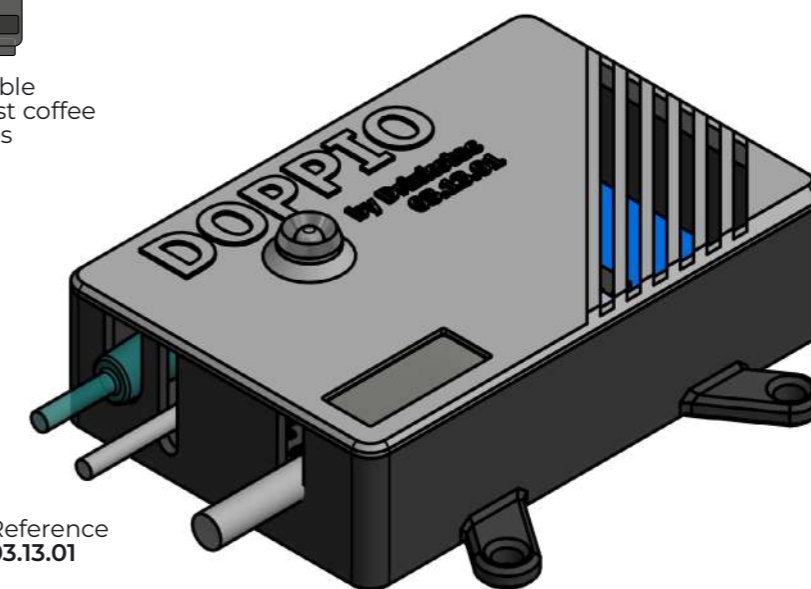


Non-exhaustive list

*Contact us to know if your coffee machine is already integrated. The integration of a new coffee machine is possible on demand.



Compatible with most coffee machines

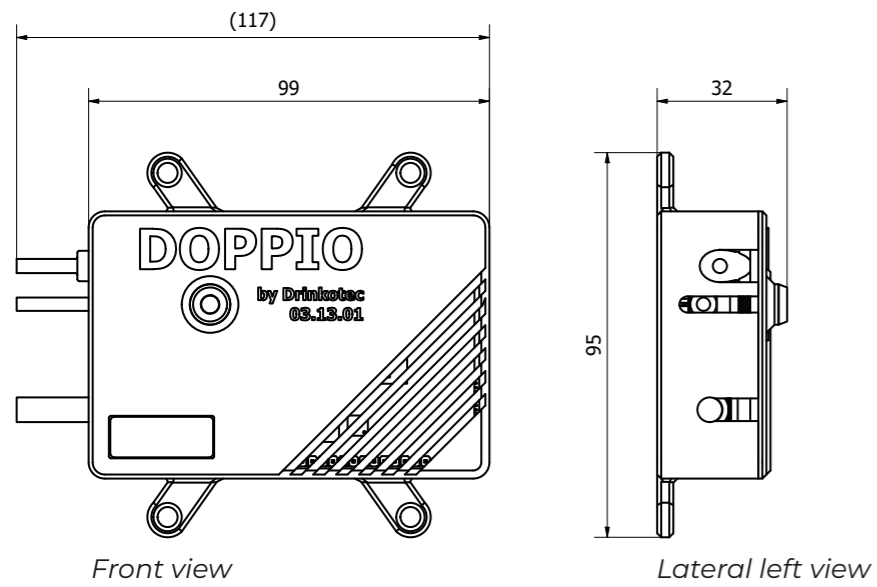


Reference 03.13.01



4G LTE
Connected equipment to Loop³⁶⁰ Analytics

Dimensions



Main features

- ✓ Compatible with **most coffee machines** in the market
- ✓ Coffee dispensing **control and monitoring**

Technical features

- ✓ **Dimensions**
height: 95 mm
width: 99 mm
depth: 32 mm
- ✓ **Mandatory subscription** to Loop³⁶⁰ Analytics

Infrastructure settings

DOPPIO Technical specifications

